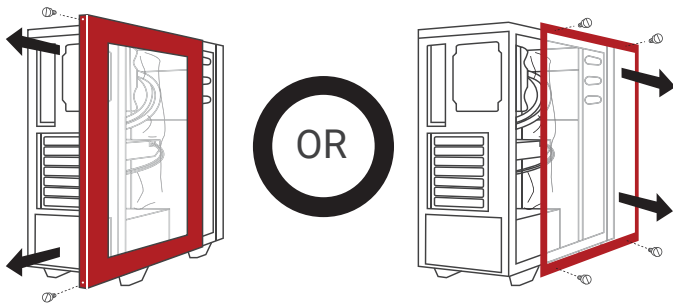


How to Install your Graphics Processing Unit (GPU/Graphics Card)

Tools required:
Phillips Head Screwdriver

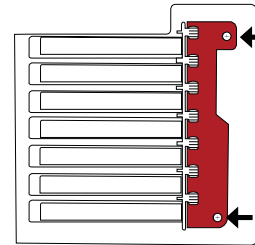
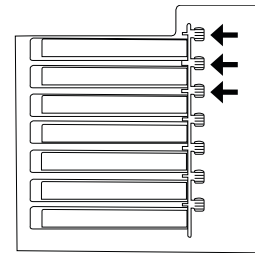
1 Open side panel

Make sure your PC is turned off and not plugged in. Open the side panel.



2 Remove screws

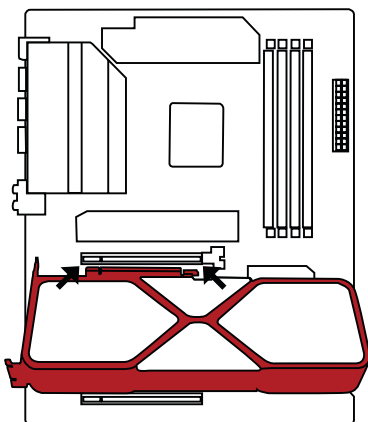
Remove the screws on the rear of the case that will be holding the graphics card in place. You may have to remove either the first, second, or third screw on the back, depending on your motherboard.



NOTE: If your case has a cover over the PCI screws, also remove the cover.

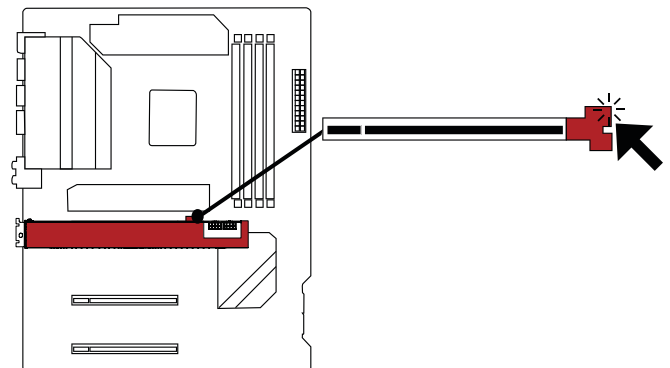
3 Prepare to slot the GPU

Line the graphics card up with the PCI-e slot on the motherboard, as shown in the image below.



4 Insert the GPU in the PCI-e Slot

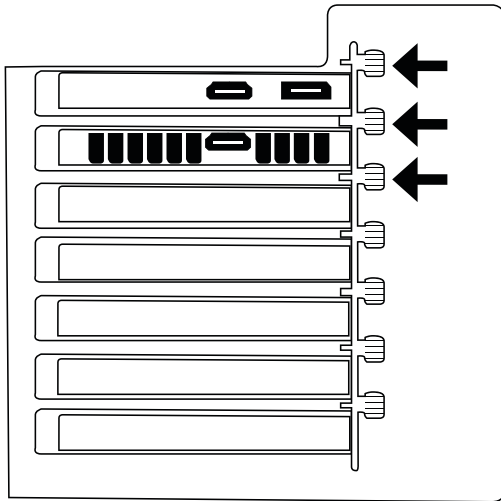
Insert the graphics card into the PCI-e slot by pressing firmly until you hear or feel the latch click.



5

Secure the Retention Bracket

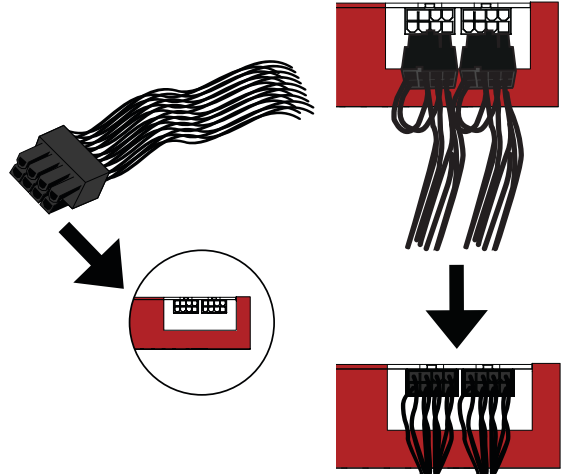
Use the screws from earlier to secure the metal retention bracket of the graphics card (and PCI screw cover if applicable).



6

Connect cables to graphics card

Locate and connect the power cable(s). It is possible that the power supply will have extra cables; that is okay as long as ALL the connectors on the graphics card are plugged in.



7

Reinstall side panel and continue PC setup

Put the side panel back on, you are finished. You may follow the rest of the main quick start guide to complete setting up your new PC.

