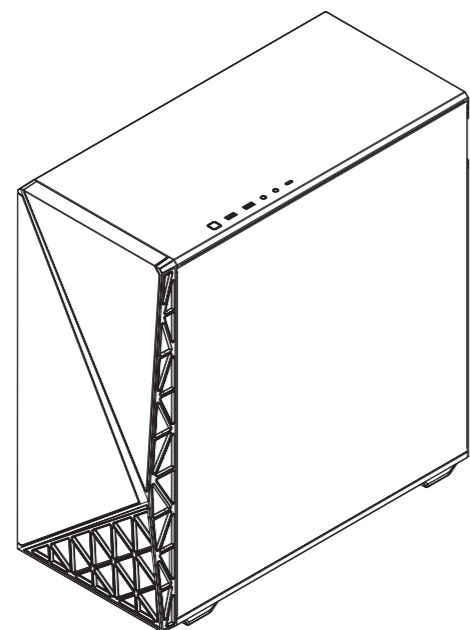


iBUYPOWER
Slate 9 Mesh



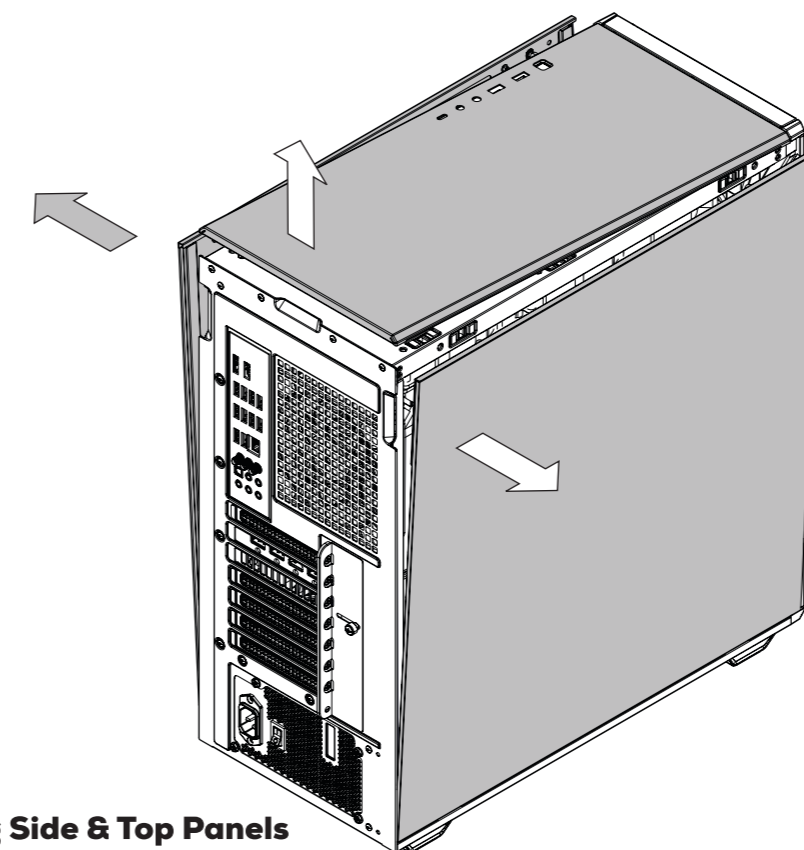
Thank you for purchasing an iBUYPOWER Slate 9 Mesh Case. These instructions should help you with assembly and upgrades, whether these cases were purchased standalone or configured with an iBUYPOWER Gaming PC.

Package Includes

- Case
- Assembly Screws
- Instruction Manual
- Zip Ties

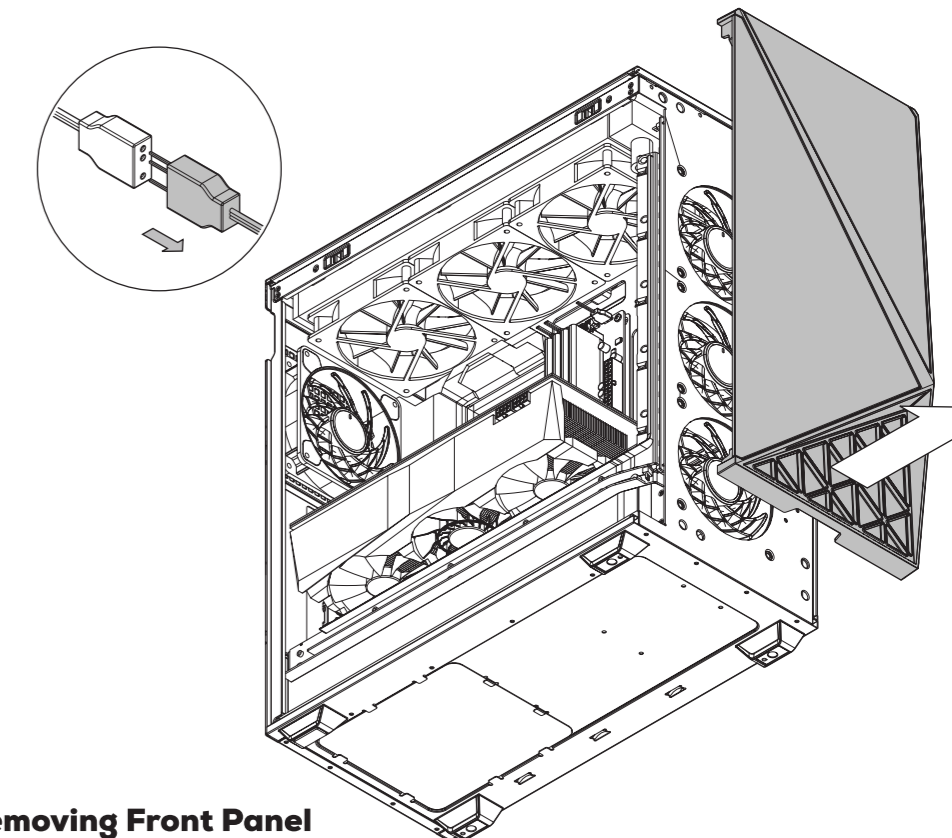
Spec and Package Contents

Material	ABS, Steel, Tempered Glass
Color	Black/White
Dimensions	495 mm L x 490 mm H x 220 mm W
Motherboard Sizes	E-ATX (up to 10.6"), ATX, mATX, ITX
Cooling System	Front: 3x 120 mm aRGB Fans (included) Top: 3x 120 mm or 2x 140 mm Fans Rear: 1x 120 mm aRGB Fan (included)
Radiator Support	Front: 360/240/120 mm Top: 360/240/120/280/140 mm Rear: 120 mm
Clearance	GPU Length: 405 mm (with no fan in front) PSU Length: 218 mm (cable/connector included+front radiator) CPU Cooler Height: 168 mm
Expansion Slots	7
Internal 3.5	1
Internal 2.5	2
Front Panel I/O	USB 3.0 x 2, USB 3.2 Type C, Audio, Power Button w/ Power LED
Dust Filters	Top Mesh, Front Mesh, Bottom (PSU)



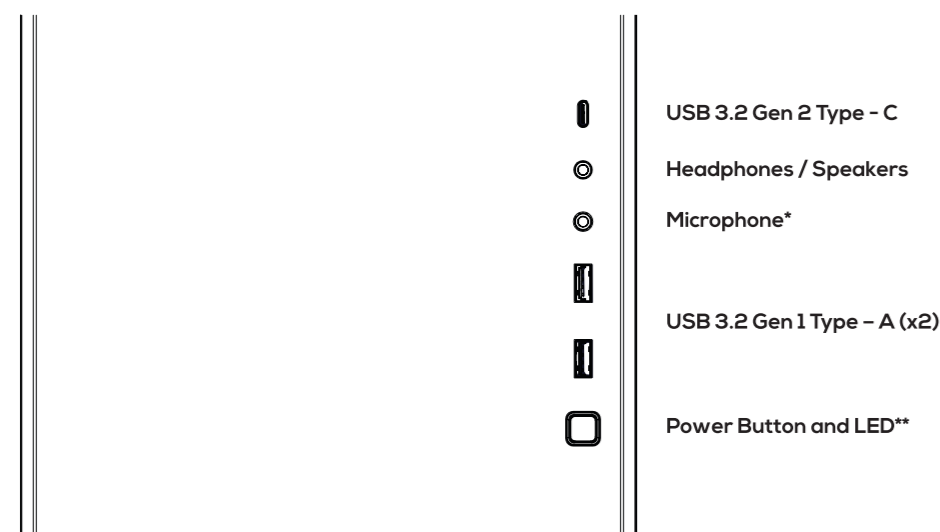
Removing Side & Top Panels

Both side panels and top panel can be removed by pulling away from the PC on tabs located at the rear of the case.



Removing Front Panel

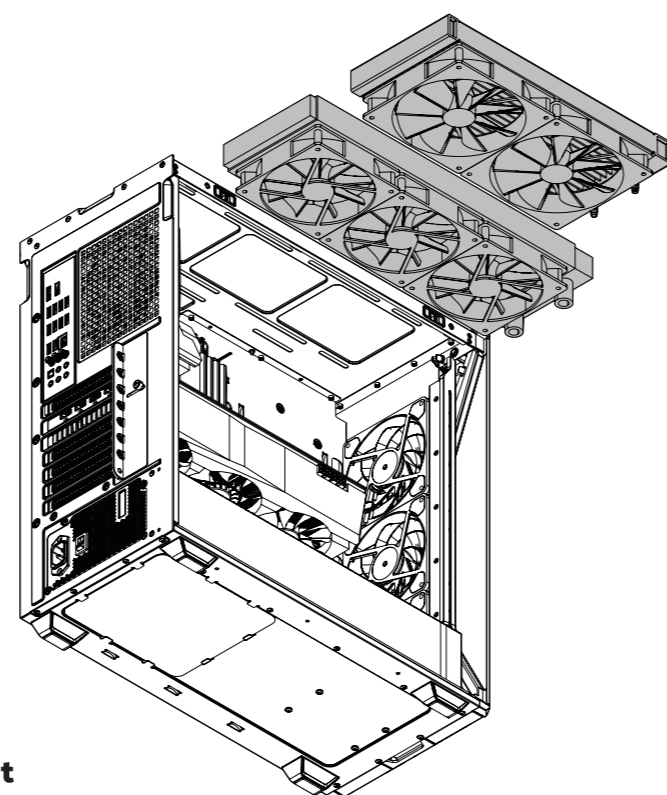
The front panel can be removed by pulling sharply along the bottom edge. There is a wire for the front panel LEDs that must be disconnected.



Front Panel I/O

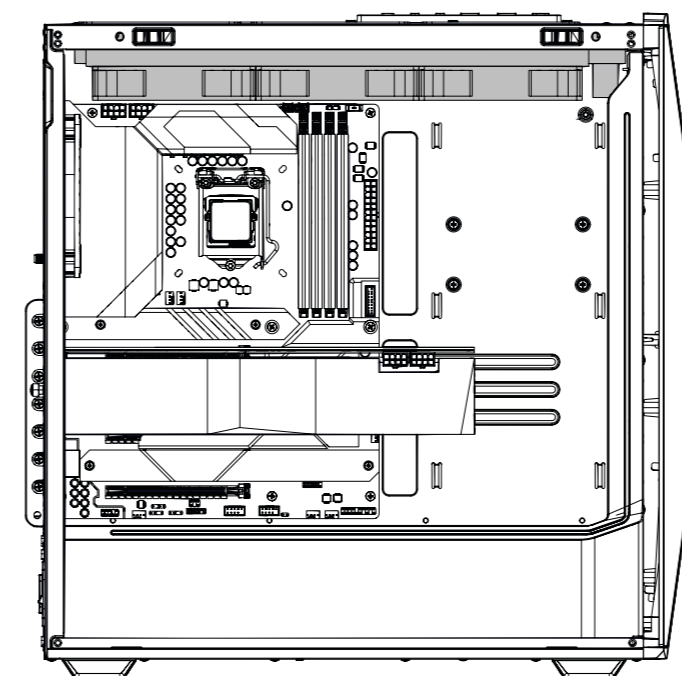
*Some headsets use a single plug for both audio output and mic input. A splitter cable will be needed to connect each plug separately.

**Some motherboards may have a function where the power button LED blinks to indicate system status. Consult your motherboard documentation if the power LED is blinking in an odd way.



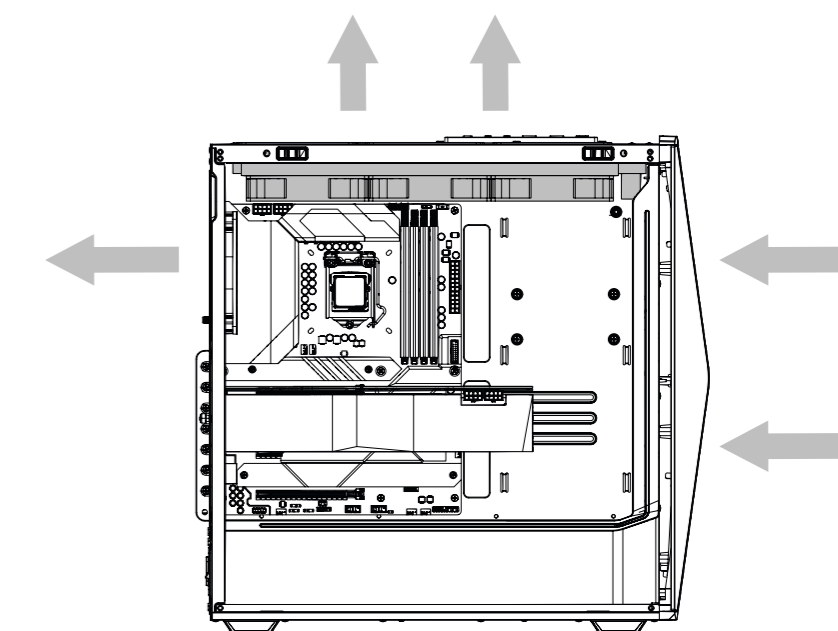
Radiator Placement

This case will fit up to a 360 mm or 280 mm radiator on the top panel of the case and up to 360 mm in the front. It is intended for radiators to be installed on the top of the case before the front.



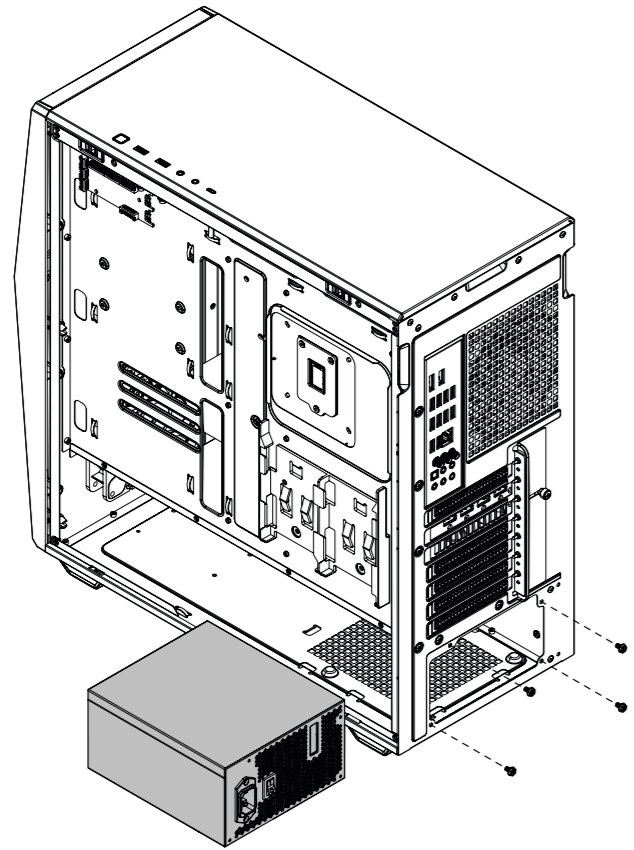
Radiator Clearance

There is a designated 55mm clearance for radiator + fan on the top of the case. The front clearance is dependent on the length of the graphics card. The total clearance is 405mm to allow for push pull front mounted radiators and long graphics cards.



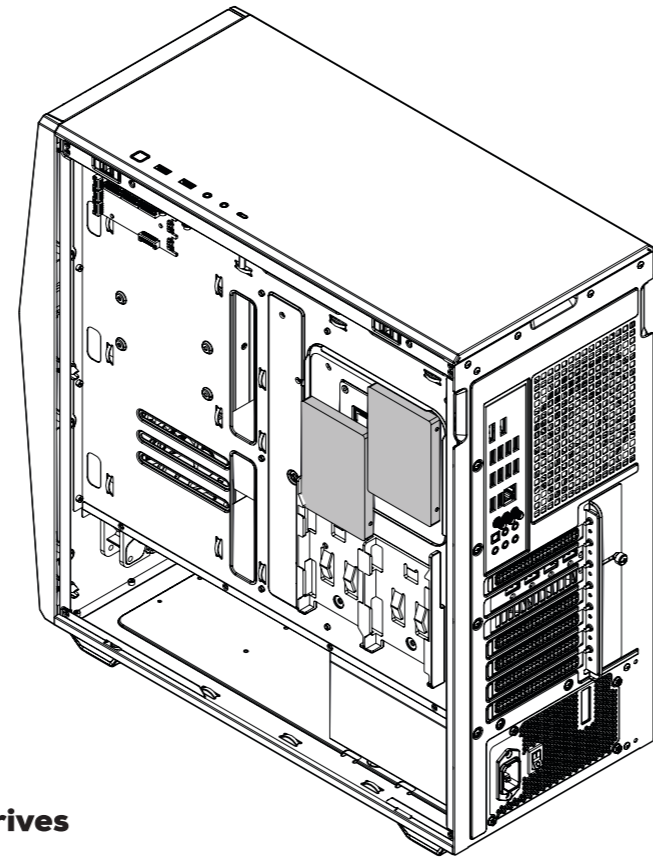
Airflow

iBUYPOWER recommends a balanced airflow configuration, with a close to equal numbers of intake and exhaust fans. Fans should be positioned to move air rearwards and upwards in the case.



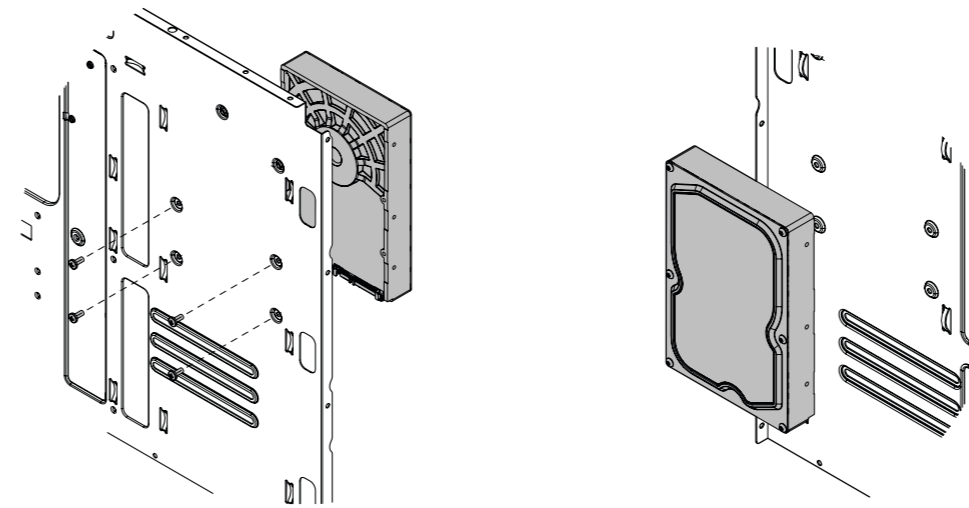
Installing PSU

The power supply installs through the cable management side of the case. There are 4 screws at the rear to hold it in place.



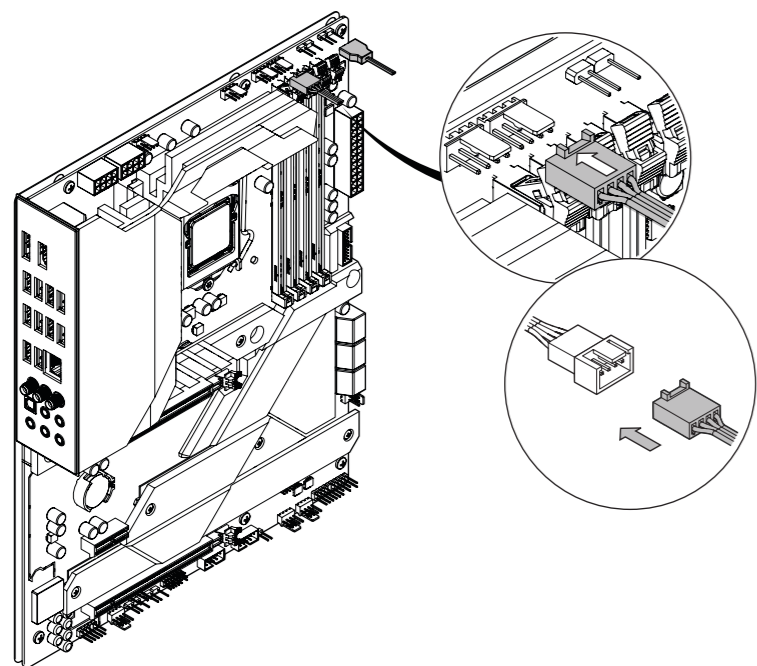
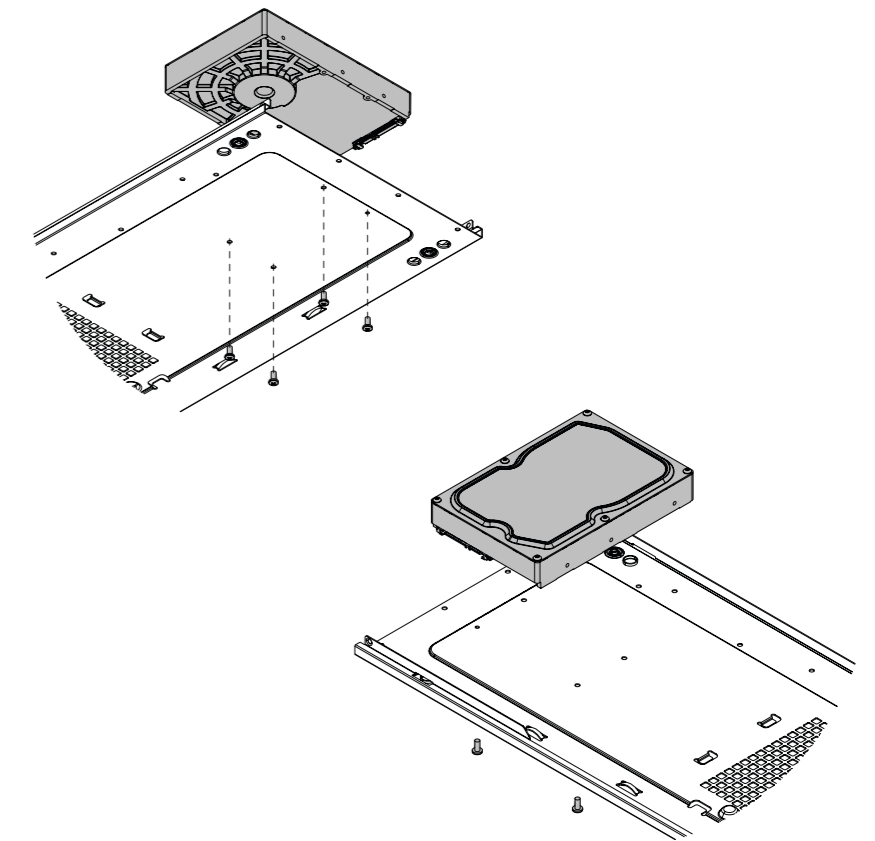
Installing 2.5" Drives

2.5" Drives mount behind the motherboard tray in a plastic holder. The drives snap into place by pushing them downwards. They may be removed by pulling on the clips then pushing the drive upwards.



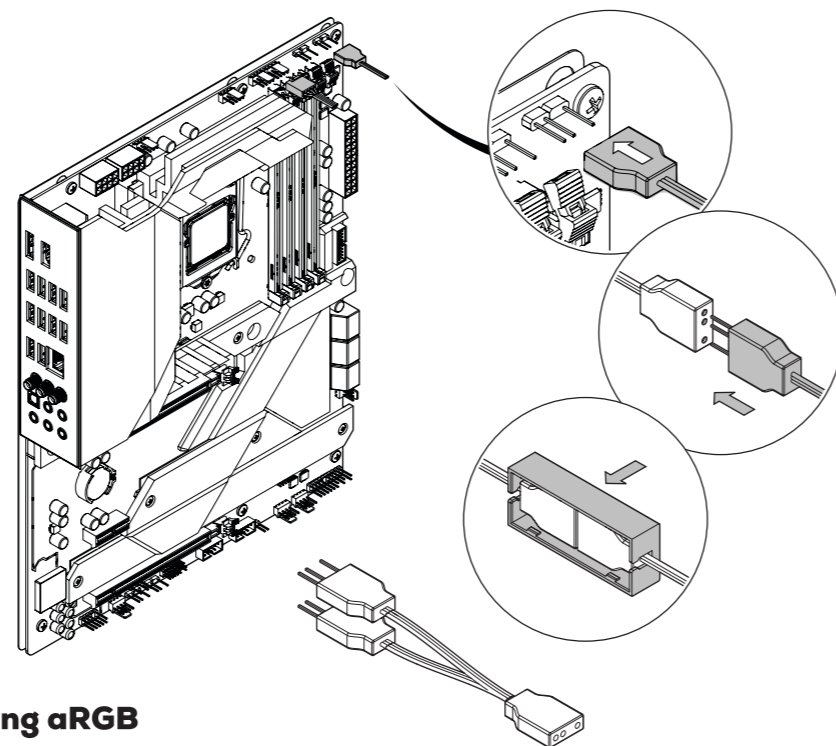
Installing 3.5" Drives

3.5" Drives mount directly either to the motherboard tray or the case floor by 4 screws. It is recommended to install the drive to the motherboard tray first because the location on the case floor may interfere with the power supply cable management.



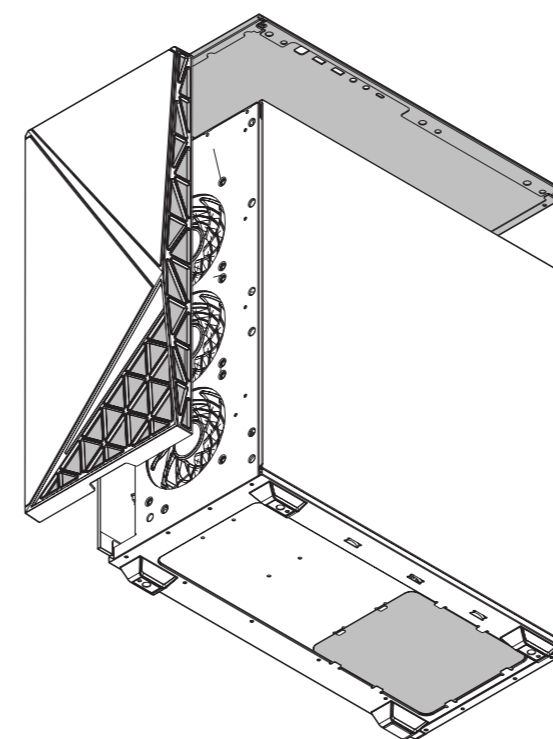
Wiring Fans

The case comes by default with 4 aRGB fans that connect with daisy-chained standard connectors. To power the fans there are PWM cables that connect to the motherboard. The connector provides both power and RPM signal and can be chained together up to 4 fans on a single header.



Wiring aRGB

The fans in this case feature addressable RGB LEDs. They receive their signal from a standard addressable RGB header which should be connected to the motherboard. Each can daisy-chain to an additional fan. A Y splitter cable is included to connect the case's RGB accent lighting to the fans. Plastic clips are used to keep the connectors together during transport.



Dust Filters

The case features 3 dust filters. The front and top filter are the mesh panels themselves and can be removed for cleaning. The power supply dust filter is held in place under the power supply and must be flexed to remove.

HAVING TROUBLE? CONTACT US!

<https://www.ibuypower.com/support>

TECHNICAL SUPPORT:
Mon-Fri: 8:30am - 5:00pm PST
Toll Free: (888) 618-6040

CUSTOMER SERVICE:
Mon-Fri: 8:30am - 5:30pm PST
Toll Free: (888) 462-3899

Scan the QR code to earn rewards, gear and more!

